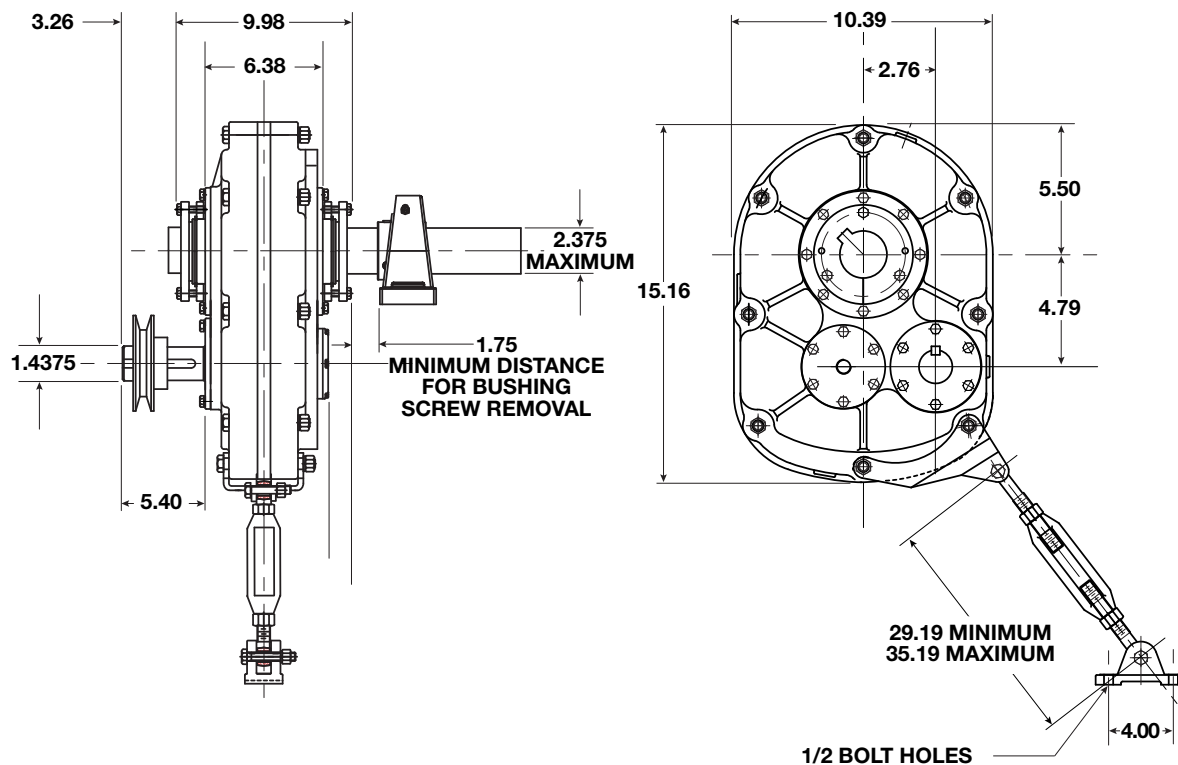




VXT4 XD Dimensions

All dimensions listed in inches



Output Hub Tapered Bushings (Other bushing sizes available by special order)

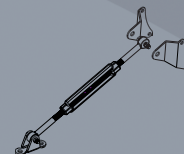
Bushing Kit Number (bore diameter)	Shaft Keyseat Required (inches)	Weight (lbs)
XBK4 1-15/16*	1/2 x 1/4 x 9-1/32	7.4
XBK4 2*	1/2 x 1/4 x 9-1/32	7.1
XBK4 2-1/8*	1/2 x 1/4 x 9-1/32	7.0
XBK4 2-3/16*	1/2 x 1/4 x 9-1/32	6.7
XBK4 2-1/4*	1/2 x 1/4 x 9-1/32	6.3
XBK4 2-7/16	5/8 x 5/16 x 9-1/32	5.8

*Check the driven shaft and key for adequate load capacity.

XD Style Speed Reducer (AGMA Size 207)

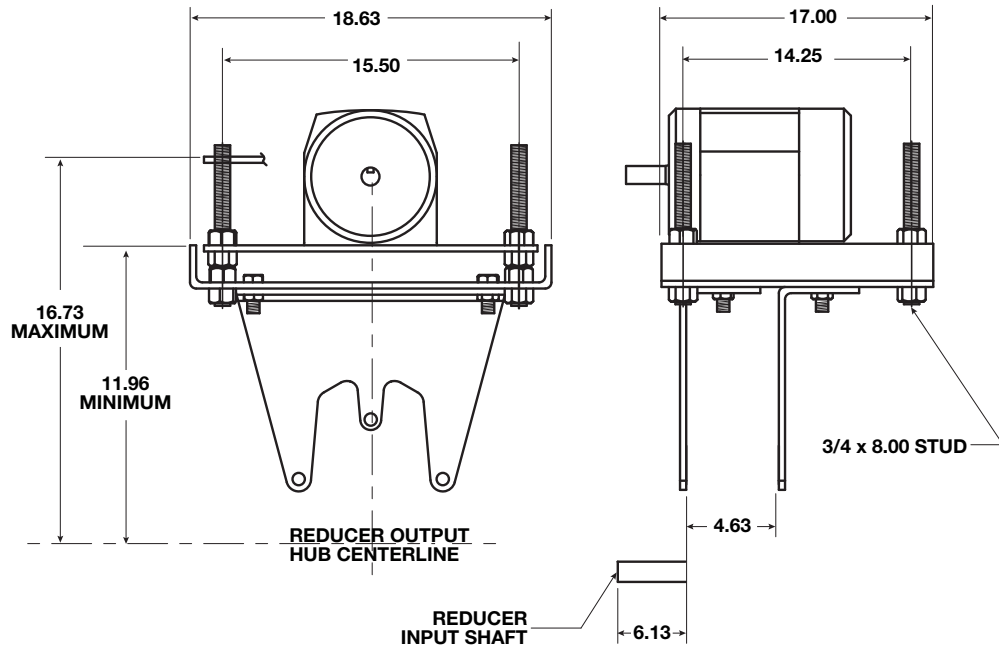
Reducer Unit	Exact Ratio	Maximum Output RPM	Weight (lbs)
VXT415 XD	15.13:1	140	125.0
VXT425 XD	24.38:1	85	125.0

Included Torque Arm



Torque Arm Kit Number	Weight (lbs)
4TA	10.0

VXT4 XD Accessories



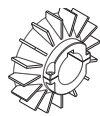
Motor Mount Kit Number	NEMA Motor Frame	Weight (lbs)
4MMA	143T-286T	75.0

V-Belt Center Distance for NEMA Frame Motors					
	140	180	210	250	280
Minimum	21.2	22.2	23.0	23.9	24.7
Maximum	25.2	26.2	26.9	27.9	28.7



Backstop

4BKS



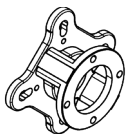
Cooling Fan Kit

4CFK



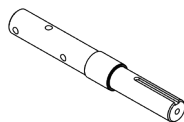
Component Replacement Repair Kit

4RK



Screw Conveyor Flange

4SCF



Screw Conveyor Drive Shaft

4SCDS

Output Shaft Diameter Options (in)

1-1/2

2

2-7/16

3-7/16



Screw Conveyor Shaft Removal Wedge

4SCRW

